

322C5203

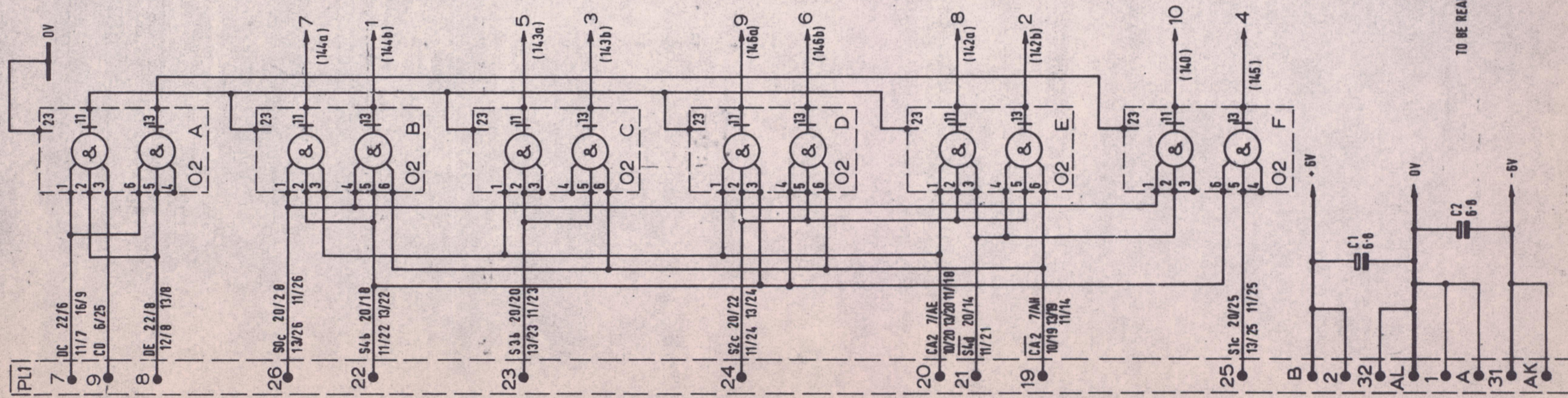
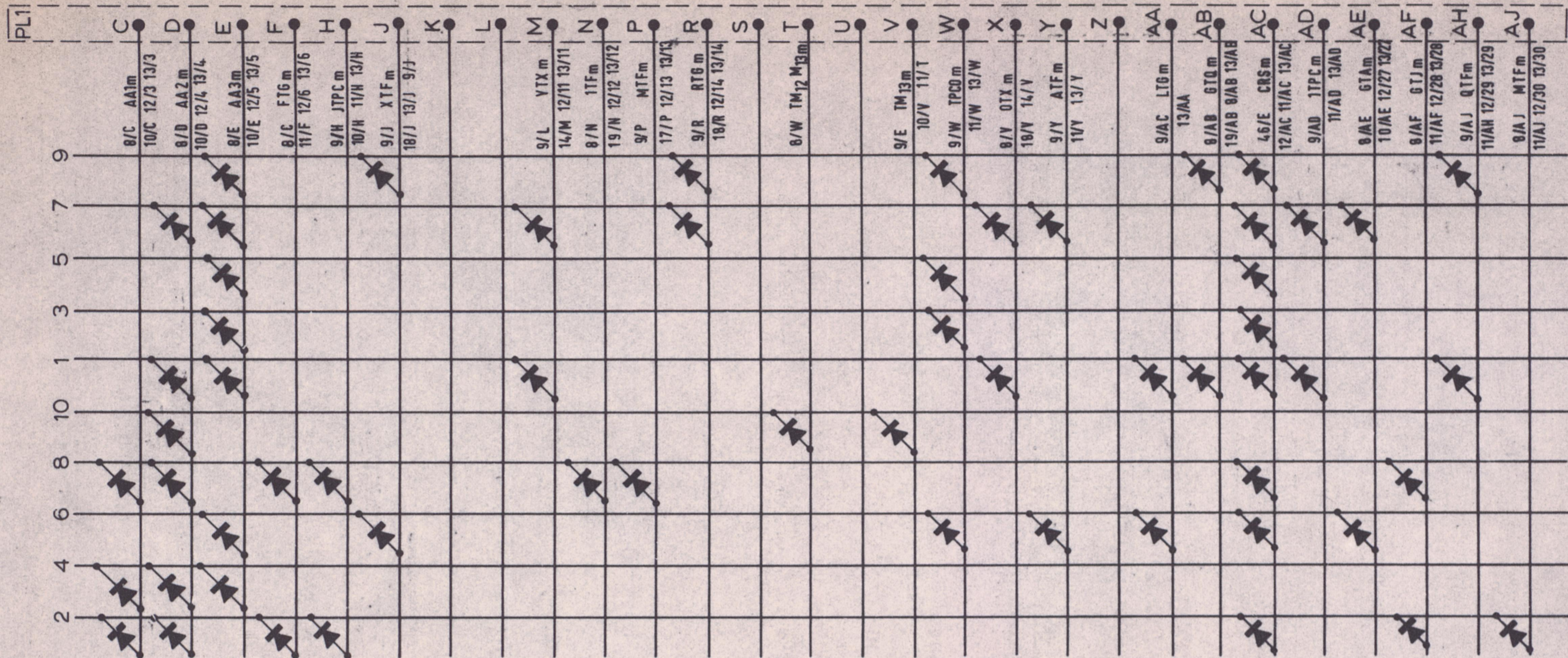
THIRD ANGLE PROJECTION

DIMENSIONS IN INCHES UNLESS OTHERWISE STATED

DO NOT SCALE DRAWING

USED ON
C4078

34



TITLE
 BOARD A-GH POS.12
 CONTROL MATRIX
 FUNCTION 14

TO BE READ IN CONJUNCTION WITH 322A7191

LATEST MI INCORPORATED MI... 2458 2996

ISSUE No.	1
ALTERATION No.	1740
DATE	13.7.66
INITIALS	L.J.E
PARTS LIST No.	
DRAWN	L.J.EVERETT
CHECKED	CS 637
APPROVED	[Signature]
DATE	7-11-66

MATERIAL	FINISH
<small>© Elliott Brothers (London) Limited THIS DRAWING IS THE PROPERTY OF ELLIOTT BROTHERS (LONDON) LIMITED AND THAT NOT BE COPIED, REPRODUCED OR DISCLOSED FOR ANY PURPOSE EXCEPT AS AUTHORIZED IN WRITING BY ELLIOTT BROTHERS (LONDON) LIMITED</small>	
TOLERANCES LINEAR UNMACHINED SURFACES ± MACHINED SURFACES ± ANGULAR DIMENSIONS ± UNLESS OTHERWISE STATED	

ELLIOTT BROTHERS (LONDON) LTD	
TITLE	BOARD A-GH POS.12 CONTROL MATRIX FUNCTION 14
SCALE	DRAWING No. 322C5203